



The Patented; Durable, Fire Retardant, Weather Resistant Exterior Stucco System.

MULTI-TEX[®] STUCCO SYSTEM

DESCRIPTION & USE

The MULTICOAT MULTI-TEX STUCCO SYSTEM consists of a high build flexible acrylic emulsion applied to a special non-combustible, lightweight, autoclaved, cementitious smoothprimed fibercement siding. It forms a cost-effective, durable weather-resistant exterior stucco finished (primed) wall, installed on wood or steel frame, residential or commercial structures.

ADVANTAGES

- Flexible
- UV resistant
- Easy to install
- Multiple color choice
- High impact and abrasion resistance
- Resists moisture penetration and formation of fungus and mildew
- Resistant to salt spray, freeze/thaw, and most chemicals
- Multiple finishes - smooth - medium - coarse
- Waterbase stucco emulsion - environmentally safe

SEE TEST DATA

SURFACE PREPARATION:

Smooth primed fibercement siding must be structurally sound, and surface must be free from grease, oil, paint, dirt, dust, sealers, laitence, and other foreign materials that may PREVENT PROPER BONDING. Proper expansion joints should be installed according to applicable local building codes or structural engineer. (Recommended: Approximately every 16 feet.)

NOTE: A moisture barrier or house wrap may be necessary in some applications. Check local building codes or structural engineer.

APPLICATION

STEP 1: Install smooth primed fibercement siding vertically on existing structure using galvanized nails (wood) or self-tapping ceramic coated screws (steel), 6" centers. All panel edges shall be supported by framing, per fibercement manufacturer's instructions. Leave minimum 1/8" space between panels (refer to diagrams).

STEP 2: Caulk all joints with polyurethane caulk. Allow caulk to thoroughly cure. Check with caulk manufacturer for cure times. Curing times vary due to environmental conditions. Failure to allow caulk to cure may cause outgassing, delaminations, severe cracking and other problems. Check with caulking manufacturer for curing requirements.

STEP 3: Clean wall board with water dampened sponge.

STEP 4: Tape all caulked joints with Multicoat elastomeric 6" joint tape. Use 6" tape on all corners (refer to diagrams).

STEP 5: Apply a skim coat of smooth stucco over all joints and corners, allow to dry. Then apply Multicoat STUCCO MIX directly to wall board with trowel or sprayer, and finish to desired texture.



PROPERLY ATTACH PRIMED FIBERCEMENT BOARD TO STRUCTURE (LEAVE MIN. 1/8" GAP BETWEEN PANELS)



CAULK ALL JOINTS WITH POLYURETHANE CAULK (ALLOW TO FULLY CURE)



APPLY MULTICOAT ELASTOMERIC JOINT TAPE TO CORNERS AND JOINTS



APPLY SMOOTH TO CORNERS AND JOINTS. THEN APPLY STUCCO MIX TO DESIRED TEXTURE

NOTE: Smooth texture requires a minimum two coats, troweled finish. See coverage. (Additional coat(s) may be necessary to properly hide joints.)

COVERAGE

Stucco Textures - Each 5-gallon pail of STUCCO MIX will cover approximately 80-125 sq. ft., depending on texture. Smooth Texture - Each 5-gallon pail of STUCCO MIX will cover approximately 150-175 sq. ft., two coats. (All coverages may vary depending on application methods.)

APPLICATION LIMITATIONS

Do not apply if wall board surface temperature is below 50°F, or over 100°F. **Do not apply** if ambient temperature is less than 50°F and falling, over 100°F and rising, or if precipitation or extreme high humidity is expected within a 12-hour period.



PACKAGING & STORAGE

SMOOTH PRIMED FIBERCEMENT SIDING - 4' wide x 8', 9', 10' or 12' lengths. Standard thickness - 5/16" - Special Order 7/16"
 MULTICOAT STUCCO MIX - 5-Gal. Pails (65 lbs)
 MULTICOAT ELASTOMERIC JOINT TAPE - 6" x 100 ft. rolls
 POLYURETHANE CAULK - Tubes

Store at 40-90°F. Shelf life is approximately 24 months in unopened pails.

DAMAGE LIMITATION

Seller shall not be liable for any damages, injury, loss, direct or consequential, resulting from its products. The parties intend that the limitation of damages, including consequential damages, applies even if the exclusive remedy provided for herein fails of its essential purpose.

EXCLUSIVE REMEDY

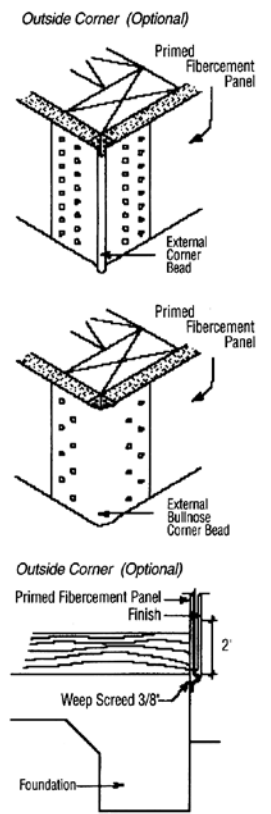
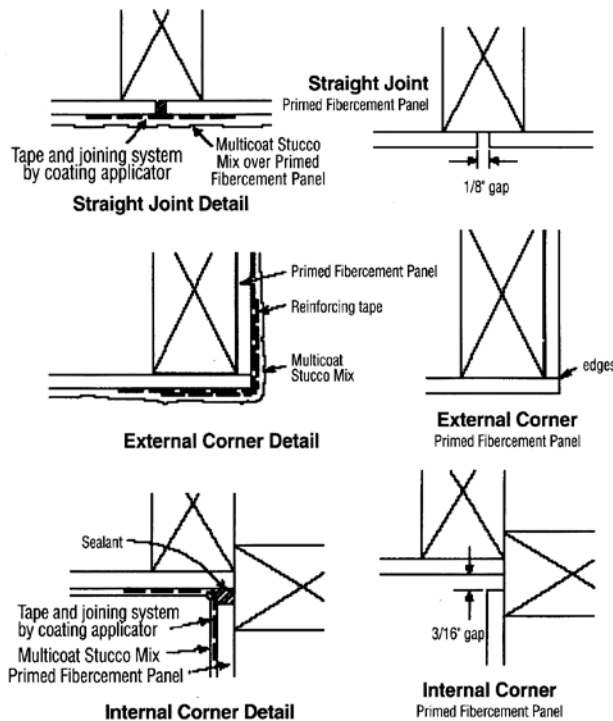
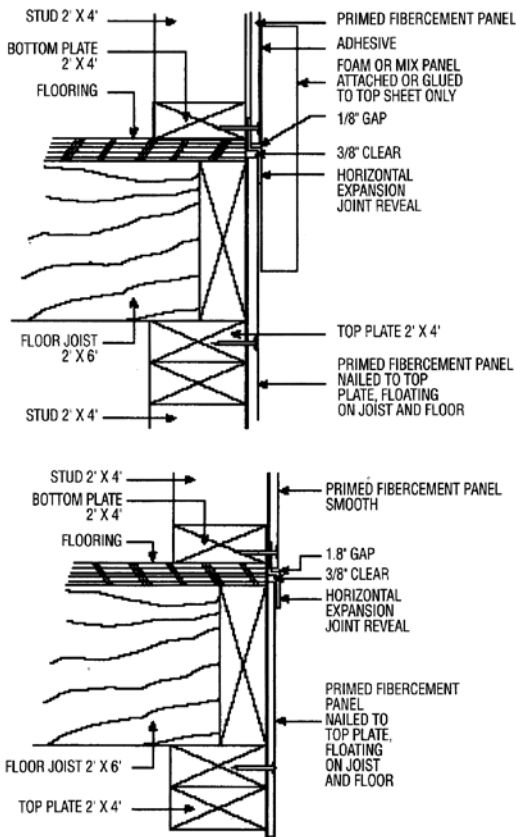
Seller's sole obligation, and buyer's exclusive remedy shall be to replace material if found to be defective.

WARRANTY DISCLAIMER

There are no warranties which extend beyond the description of the fact hereof. Seller expressly disclaims all other warranties regarding the use of its products, whether expressed or implied, including the implied warranties of merchantability and for fitness of a particular purpose. Since use of the product is beyond the Seller's control, the Buyer assumes all risk of use.

WARRANTY

Materials are guaranteed with respect to uniformity and quality within manufacturer's specifications.



MULTICOAT® CORPORATION
West Coast

Toll Free: (877) 685-8426
 (949) 888-7100 Fax (949) 888-2555
 Website: www.multicoat.com
 E-mail: info@multicoat.com

MULTICOAT® PRODUCTS, INC.
East Coast

Toll Free: (800) 660-6729
 (304) 586-0616 Fax (304) 586-0620
 Website: www.multicoat.com
 E-mail: info@multicoat.com

AVAILABLE THROUGH